



MONONUCLEAR CELL COLLECTION

ADVANCING THERAPEUTIC APHERESIS AND CELL COLLECTIONS TO THE NEXT LEVEL OF PATIENT CARE

TERUMOBCT
Unlocking the Potential of Blood



SPECTRA OPTIA® APHERESIS SYSTEM

Giving you versatility and customization

The Spectra Optia system allows you to perform efficient peripheral blood stem cell collections. With this procedure, you can collect mononuclear cells (MNC) including monocytes, lymphocytes, CD34+ and dendritic cells. Additionally, you can customize each procedure to meet donor and patient specifications.

PROCEDURE AND SYSTEM HIGHLIGHTS

Procedural Flexibility	Versatile software is designed for a wide range of device interaction preferences and operator skill levels
Collect specific product volume	Allows you to choose the collected product volume to ensure the desired maximum value is not exceeded
Consistent results	Automated Interface Management (AIM) system is designed to produce consistent results through interface stability
Efficient collection <i>Median values*</i>	Autologous CD34+ CE1 = 64%, N = 67 Allogeneic (mobilized) CD34+ CE1 = 53%, N = 34
Product purity <i>Median values*</i>	Red cell contamination Autologous Hct = 2.0%, N = 72 Allogeneic Hct = 1.3%, N = 32 Granulocyte contamination Autologous granulocyte = 7%, N = 32 Allogeneic granulocyte = 10%, N = 8 Platelet decrease Autologous platelets = 30%, N = 72 Allogeneic (mobilized) platelets = 37%, N = 35
Minimal system interactions	Allows you to spend more focused time with your patients
Intuitive graphical user interface	Streamlines your procedure management with touch-screen instructions and simple data entry

*Refer to the European Study data sheet.



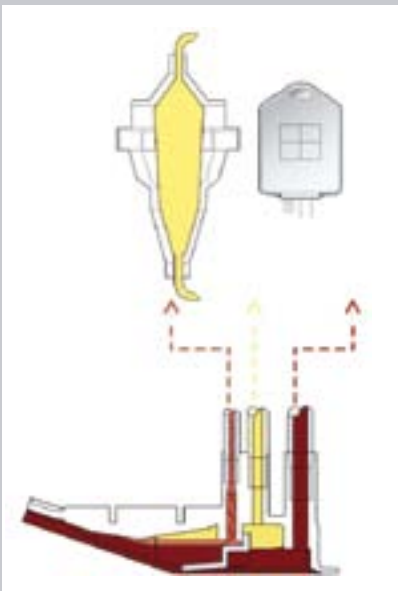
How it Works

The AIM system provides continuous interface monitoring, interpretation and adjustment for efficient MNC collection.

- Monitors the interface position and thickness of separated blood components, up to 25 times per second with a resolution of approximately 10 microns
- Interprets interface information using a patented optical detection system
- Adjusts the pumps and valves to manage the interface position and efficiently remove targeted components

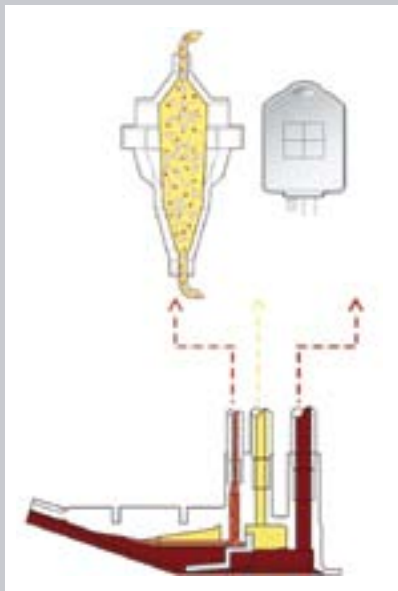
1. INTERFACE ESTABLISHED

- The AIM system quickly establishes blood interface layer at the collect port
- White blood cell layer accumulates
- AIM system detects the presence of cells and automatically adjusts the interface to optimize the collection



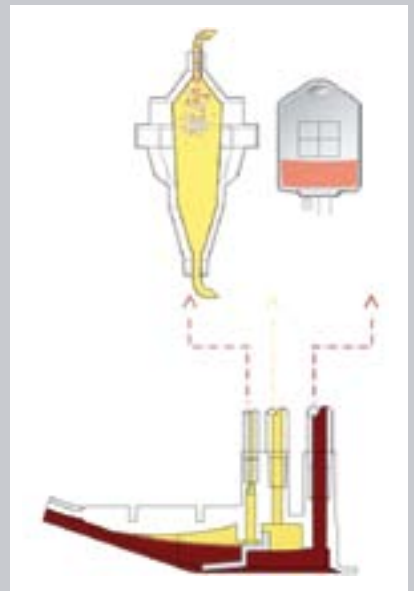
2. CHAMBER FILLS

- Pumps automatically adjust to ensure the red blood cells, granulocytes, platelets and plasma are continually returned to the patient
- Targeted cells accumulate in the chamber
- Innovative chamber technology is designed to reduce non-target cells in the final product

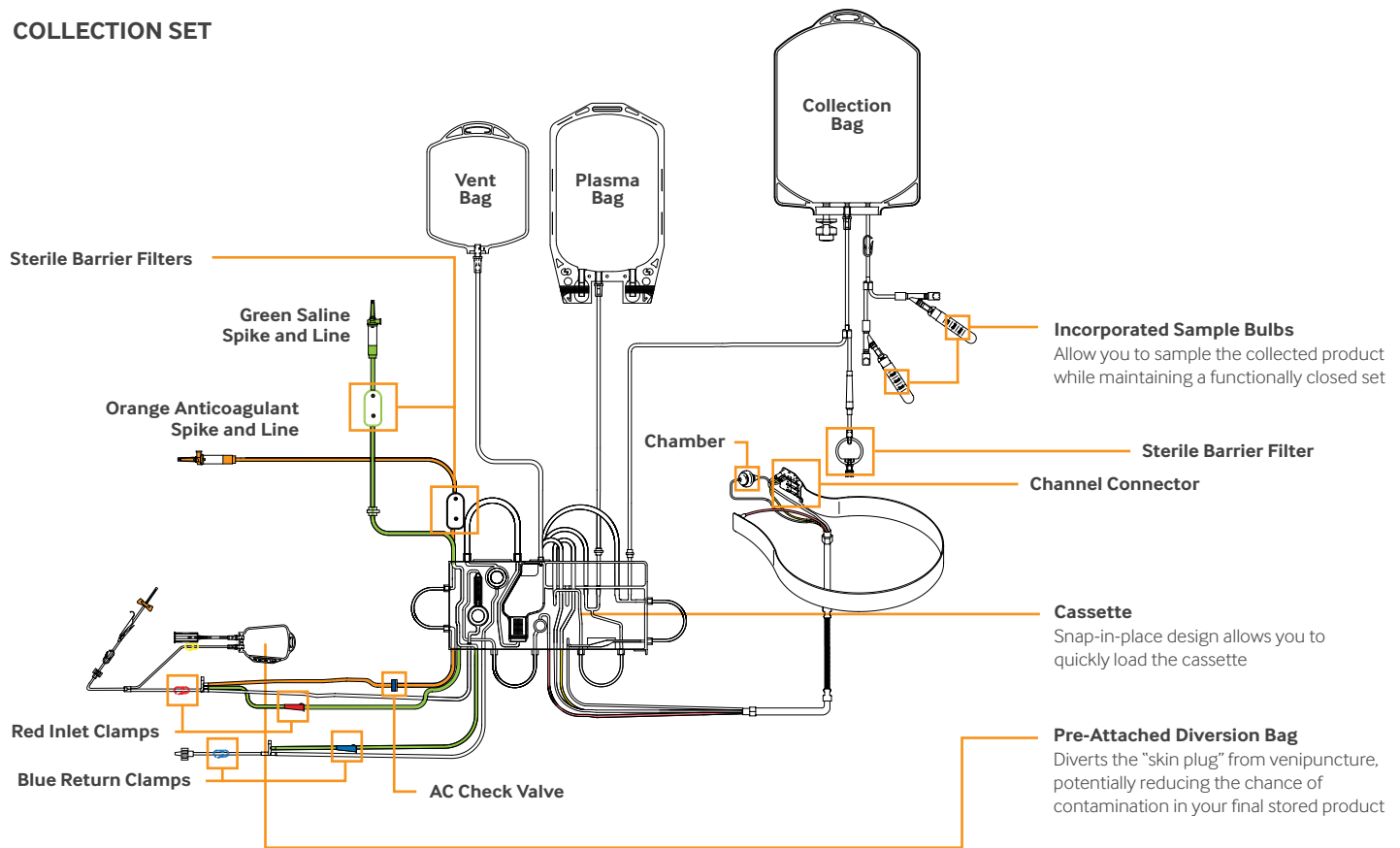


3. COLLECTION BEGINS

- Pumps and valves automatically adjust to flush the chamber with plasma
- Target cells flow into the collection bag
- Pumps and valves automatically adjust to re-establish the interface and then the entire process is repeated



COLLECTION SET



Low volume tubing set (Maximum ECV* = 191mL)	Accommodates smaller patients and supports patient comfort and safety Significantly lower ECV than the COBE® Spectra White Blood Cell set (295 mL)
Functionally closed	Reduces the risk of microbial contamination of the collected product
Compact packaging	Minimizes the space required for storage
Color-coded components	Simplifies setup and operation

*Maximum ECV with reservoir filled to high-level sensor (maximum occurs under infrequent alarm conditions)

Working with you

Each and every interaction we have with you is important. By fostering open and ongoing relationships, we bring more value to you and the patients we're all focused on serving.

Even after the technology is in place, we continue to serve you with:

- Education and training
- Customer support
- Technical support
- Users groups and professional networks
- Clinical and scientific support

Not for distribution in the U.S.

UNLOCKING THE POTENTIAL OF BLOOD | TERUMOBCT.COM

TERUMOBCT

Terumo BCT, Inc.

10811 West Collins Ave.
Lakewood, Colorado 80215-4440
USA
USA Phone: 1.877.339.4228
Phone: +1.303.231.4357
Fax: +1.303.542.5215

Terumo BCT Europe N.V.

Europe, Middle East and Africa
Ikaroslaan 41
1930 Zaventem
Belgium
Phone: +32.2.715.05.90
Fax: +32.2.721.07.70

Terumo BCT (Asia Pacific) Ltd.

Room 3903-3903A, 39/F
ACE Tower, Windsor House
311 Gloucester Road
Causeway Bay, Hong Kong
Phone: +852.2283.0700
Fax: +852.2576.1311

Terumo BCT Latin America S.A.

Juncal 1311 4th Floor
C1062ABO
Buenos Aires
Argentina
Phone: +54.11.5530.5200
Fax: +54.11.5530.5201

Terumo BCT Japan, Inc.

Ebisu South One Bldg. 9F
1-7-8, Ebisu-minami, Shibuya-ku
Tokyo 150-0022
Japan
Phone: +81.3.6743.7890
Fax: +81.3.6743.9800



For More Details Please Contact
0300-2144236
0346-2111120